



Rider Bikes Pvt. Ltd.

PRODUCTS
CATALOGUE

2023-2024

www.riderbikes.in

CONTENT

■ About Us	03
■ Feel Like a Rider	03
■ Company Profile	03
■ Our Team	04
■ Our Milestone	05
■ Bottom Brackets.....	06-08
■ Alloy Hubs.....	09-12
■ Head Parts.....	13
■ E-Bike Kit	14-18
■ Assembled Alloy Wheel	19
■ Contact Information	20

ABOUT US

OUR VISION

Innovations that inspire the athlete in every person.

OUR MISSION

Creating products and services that promote a healthy and sustainable lifestyle. Continuously work towards improving product quality, developing better products, improving employee & customer satisfaction, creating jobs and becoming a market leader in the sporting goods industry.

FEEL LIKE A

RIDER

WHY RIDER BIKES?

"RIDER BIKES PVT LTD" has mastered the art of manufacturing bicycle components for over 5 decades. It provides the most reliable and affordable products of high quality and workmanship which match the international standards.

There is a well-established infrastructure to produce various bicycle parts & auto parts inside our well - integrated workshops covering an area of 50000 square feet.

COMPANY PROFILE

Founded in 1967, **RIDER BIKES PVT LTD** is the largest manufacturer of BB cartridge and axle in the Indian sub-continent.

With over 6 decades of experience and a highly advanced manufacturing facility in area of 50000 square feet we manufacture our products with great accuracy and standards.

With our new launched product of Aluminum Hubs and Hub Motors in 2021 we are now expanding our product line to meet customer's demand.

BOARD OF DIRECTORS



Mr. Surinder Aggarwal

Chairman



Mr. Vanit Aggarwal

Managing Director



Mrs. Nidhi Aggarwal

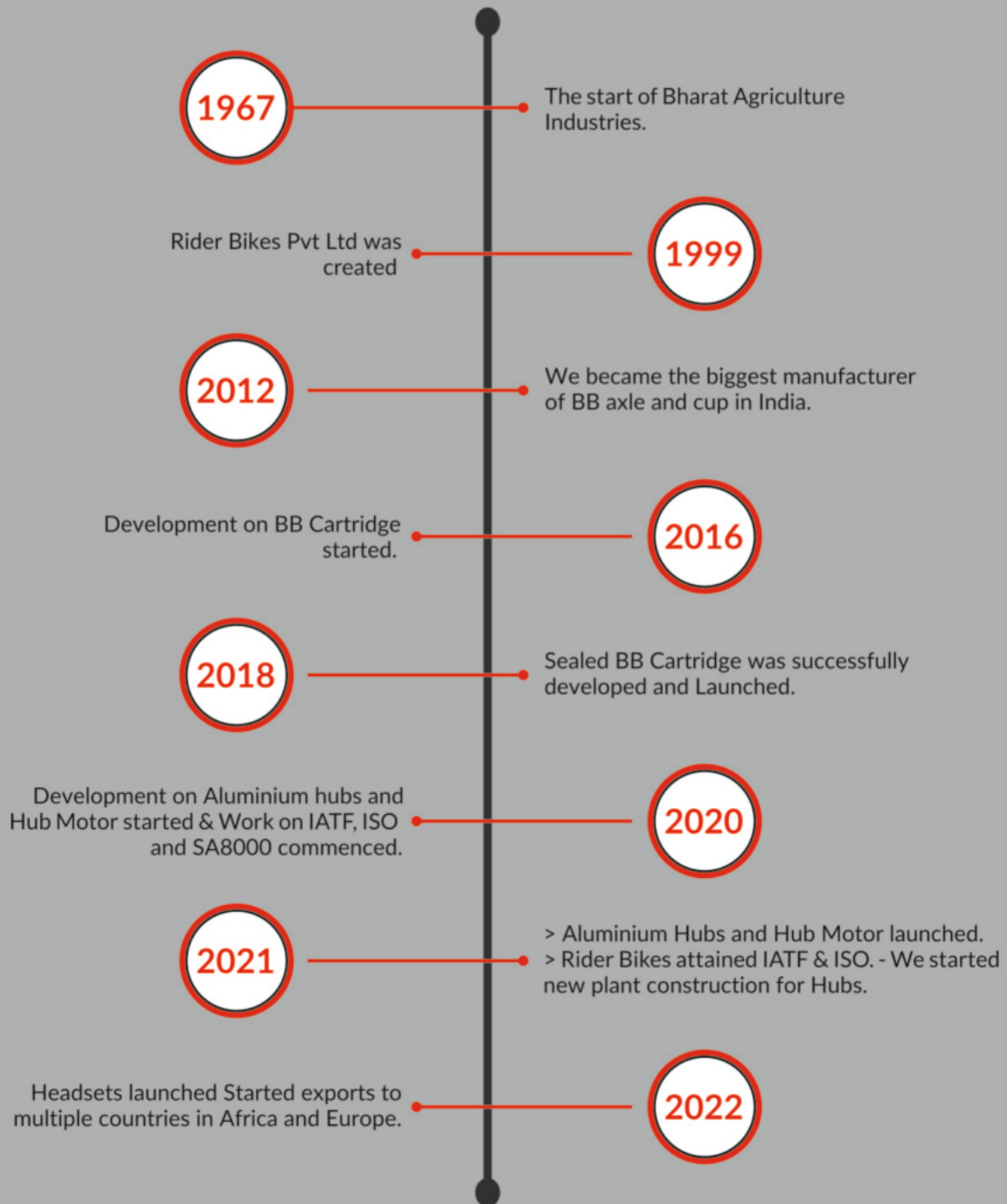
Director



Mr. Arnav Aggarwal

Director, CEO

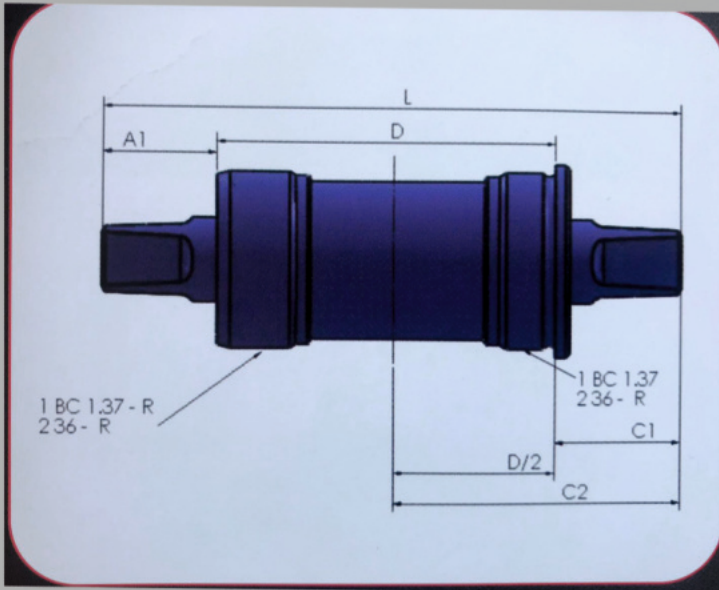
Our **MILESTONES**



Signature _____
PRODUCTS

Item Code : RBF00063
Full Cartridge Cotterless, MTB

Des	Steel cup & tube
Axle	10B21
Thread	BC1.37"x24T LR
Bearing	31x17x10mmx2pcs
Finish	Phosphated/ Black Cups



FULL CARTRIDGE COTTERLESS BEARING B.B. SETS LIST

MODEL NO	A1	D	C1	C2	D/2	L
119MM FULL CARTRIDGE	23	68	29.6	59.5	36.2	119
122.5MM FULL CARTRIDGE	24.75	68	28.35	61.25	36.2	122.5
127.5 MM FULL CARTRIDGE	26.75	66	33.35	63.75	36.2	127.5
136.5MM FULL CARTRIDGE	29.75	66	39.35	71.75	35.2	136.5
175MM FULL CARTRIDGE	23.5	120	31.1	89.8	61.7	175

Signature —
PRODUCTS**Item Code : RBF00068**
Full Cartridge Cottered, MTB

Des	Steel cup & tube
Axle	CHQ 1010
Thread	BC1.37"x24T LR
Bearing	31x17x10mmx2pcs
Finish	Phosphated/ Black Cups

**Item Code : RBF00098**
Full Cartridge Cottered Raleigh, MTB

Des	Steel cup & tube
Axle	CHQ 1010
Thread	BC1.37"x24T LR
Bearing	31x17x10mmx2pcs
Finish	Phosphated/ Black Cups



Signature _____
PRODUCTS

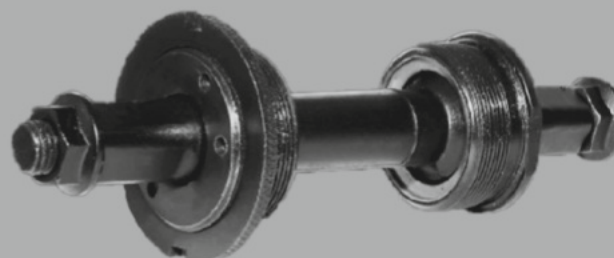
Item Code : RBF00137
SEMI-Cartridge Cottered, MTB

Des	Steel cup
Axle	CHQ 1010
Thread	BC1.37x24T L/R
Bearing	
Finish	Phosphated/ Black cups, Black/ BCP Axle



Item Code : RBF00072
SEMI-Cartridge Cotterless, Bolt Type MTB

Des	Steel cup
Axle	10B21
Thread	BC1.37x24T L/R
Bearing	
Finish	Phosphated/ Black Cups



Item Code : RBF00074
SEMI-Cartridge Cotterless, Nut Type MTB

Des	Steel cup
Axle	CHQ 1010
Thread	BC1.37x24T L/R
Bearing	
Finish	Phosphated/ Black Cups



Signature PRODUCTS

Item Code : RBF00239
Front Alloy Band Brake Hub
With/ Without QR

WEIGHT	300g
SPOKE HOLES	28H/32H/36H
SEALED BEARING	2Pcs
GAUGE	13/14
O.L.D	126/130/135
AXLE	3/8" * 165/180/185mm
P.C.D	58
F.T.F	58



Item Code : RBF00240
Rear Alloy Band Brake Hub
With/ Without QR

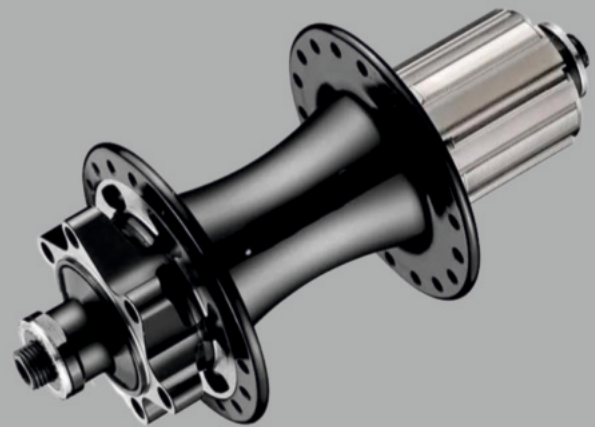
WEIGHT	271g
SPOKE HOLES	28H/32H/36H
SEALED BEARING	2Pcs
GAUGE	13/14
O.L.D	135
AXLE	3/8" * 145mm
P.C.D	45
F.T.F	58



Signature _____
PRODUCTS

Item Code : RBF00238
Rear Alloy Mega Hub
Cassette Type with/Without QR

WEIGHT	460g
SPOKE HOLES	32H/36H
SEALED BEARING	2Pcs
GAUGE	12/13/14
O.L.D	135
AXLE	3/8" * 145mm
P.C.D	58
F.T.F	58
PAWLS	2



Item Code : RBF00184
Rear Alloy Mega Hub
Without QR

WEIGHT	387g
SPOKE HOLES	32H/36H
SEALED BEARING	2Pcs
GAUGE	12/13/14
O.L.D	135
AXLE	3/8" * 165/180/185mm
P.C.D	58
F.T.F	58

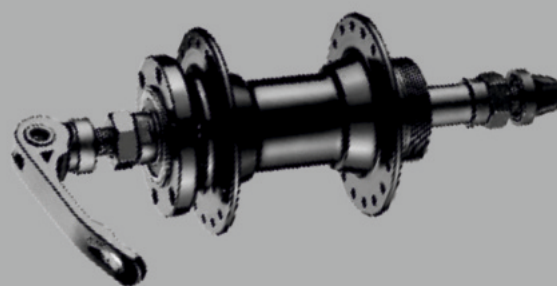


Signature

PRODUCTS

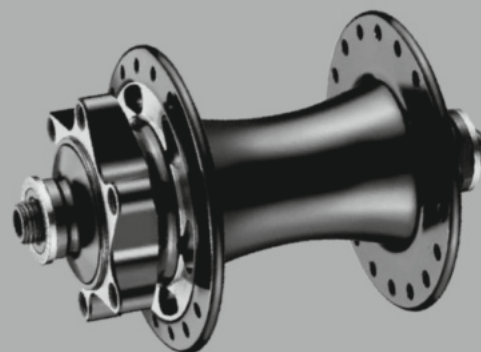
Item Code : RBF00187
Rear Alloy Mega Hub
With QR

WEIGHT	350g
SPOKE HOLES	32H/36H
SEALED BEARING	2Pcs
GAUGE	12/13/14
O.L.D	135
AXLE	3/8" * 145mm
P.C.D	58
F.T.F	58



Item Code : RBF00171
Front Alloy Mega Hub
With QR

WEIGHT	250g
SPOKE HOLES	28H/32H/36H
SEALED BEARING	2Pcs
GAUGE	12/13/14
O.L.D	100
AXLE	3/8" * 110mm
P.C.D	58
F.T.F	58



Signature PRODUCTS

Item Code : RBF00207 Rear Alloy French Hub

WEIGHT	260g
SPOKE HOLES	36H/72H
BALL	
GAUGE	12
O.L.D	126
AXLE	3/8" * 162mm
P.C.D	42.5/45
F.T.F	68



Item Code : RBF00204 Front Alloy French Hub

WEIGHT	162g
SPOKE HOLES	36H
BALL	
GAUGE	12
O.L.D	100
AXLE	5/16" * 132.5mm
P.C.D	34
F.T.F	



Signature _____
PRODUCTS



Item Code : RBF00175
Headset Internal Threaded

MATERIAL	Alloy
SIZE	1 -1/8" Internal
DIA	28.6* 44/50.6*33
BEARING	41*30.15*6.5*45°
HEIGHT	14+1 mm
FINISH	Anodized Black

Item Code : RBF00176
Headset (Threadless)

PART NAME	MATERIAL	SPECIFICATION	Q'TY
Lock Nut	Carbon Steel	1" X 24T	1
Washer	Steel	2mm	1
Top Cone	Carbon Steel	1" X 24T	1
Ball Retainer	Carbon Steel	5/32" X 16	2
Top Cup	Carbon Steel	Ø30mm	2
Lower Cup	Carbon Steel	Ø30mm	1
Lower Cone	Carbon Steel	Ø27mm	1



Signature _____ PRODUCTS

Item Code : RBF00173
Hub Motor for E-Bike

HUB MOTOR SALIENT FEATURES

Type	Out runner brushless DC motor.
Suitable for	Bicycle
Mounting Options	Front, Rear, Mid drive
Nominal Volatge	36,48,
Rated Power	250W, 350W, 500W,
Wheel diameter	22,24,26,700C,28
Max. Speed	25, 32 Km/h
Max. torque	40-48Nm
Color	Black Powder coated
Weight	3.0 Kg.



MOUNTING PERAMETER

BRAKE	Disk brake
Cable position	disk brake side,
cable type	9 Pin G9.1 Waterproof
Cable make	JULET, HIGO, ZENITH
Cable length	400mm after motor
Cable entry	From diameter of shaft
IP reating	IP-64

R	M	U	A	X
R=rear	M=Motor	U= Suitable for single or multi gear, driver sys. S= single free wheel type	A= 36V	X=250W
F= Front			B=48V	Y=350W
M= Mid			C=60V	Z=500W

Signature _____
PRODUCTS

Item Code : RBF00174
 Controller for E-Bike



Controller Selection guide					
C	H	O	A	X	N
Controller	H= hauling Casing	0= without battery	A=36-48	X=250-350W	N= CAN
	M=Matchbox type	1= with battery	B=48-60	Y=350-500	U=UART
	I=in-tube mounting				
Controller specifications					
Nominal Voltage	36-48,				
Max. Current limit	15A,				
Low voltage protection	30-42				
Rated Power	250-350W				
	350-500W				
Communication Protocol	UART/CAN				
Peripheral moduels	Power Brake 2				
	DISPLAY Digital or Plain				
	PAS				
	LIGHT & HORN				
	THROTTLE with Lock				
Cable details	Power connection cable	X60	Z0211FB		
	Spliter cable	Z0811FS	11 core cable		
	PAS Cable	Z038FS	3Core Female cable		
	Motor Cable	Z0910FM	3+6Core		
No of Mosfet	6 Mosfet				

Signature _____
PRODUCTS

LCD/LED



LCD Premium



LCD Monochrome



LED

Display Type	LCD color display	LCD mono chrome display	LED interface unit
Operating voltage	24/36/48	24/36	24/36
Rated operating current	12mA	10mA	10mA
Off leakage current	1µA	1µA	1µA
Max Output current to controller	50mA	50mA	50mA
Casing Material	ABS		
Display material	High hardness acrylic		NA
operating temprature	(-) 20 degree to + 70 degree celcius		

FEATURES

Ergonomic easy to operate external button Kilometer/mile can be set according to customer preference, Speed display: average speed, Max speed and speed real time Battery charging indicator Back light brightness can be adjustable Paddle assist: 3-5 level can be selected Millage indicator: Odo meter/ Trip distance/Riding time/ Power. Error code indicator, Parameter seating: Multiple parameter can be set through computer USB port, including Assist level/ Wheel diameter/ speed limit Require BBS01/02/HD Programming cable

CABLE DETAILS

Z 0508MS Green color water proof cable

1	Red	VCC	3 PAS mode indication lamp 5 Battery charging indicator inter face button Error blinking Power on/off Button
2	Blue	K	
3	Black	GND	
4	Green	Rx	
5	Yellow	Tx	

Signature _____
PRODUCTS

LIGHT & HORN



Voltage	24/36/48 V
Cable length	150mm
Connector	Water proof
Body etarial	ABS & Aluminium
Horn DB	80-100DB
Watt	8W
Size	63X60X53mm
insulation type	IP 65
weight	85 Gm
No of LED	4

LIGHT HORN SWITCH



Voltage	24/36/48 V
Cable length	150mm
Connector	Water proof
Body etarial	ABS & Aluminium
Horn DB	80-100DB
Watt	8W
Size	63X60X53mm
insulation type	IP 65
weight	85 Gm
No of LED	4

PADDLE ASSIST SENSOR DUEL TYPE



PAS Type	DH type
Rated Voltage	4.5-6V DC
Current	5mA
No of Magnets	12
No of Hall sensor	2
Connector type	Water proof
Cable length	60mm
Body Metarial	ABS
Rotar Material	Polymide
Magnet Grade	N35
Hall sensor life	20M Cycle
Mounting side	Left
Insulation	IP 65

Signature _____

PRODUCTS

BRAKE - LEFT AND RIGHT PAIR



Lever Material	Aluminium alloy
Suitable for	22mm steering rod
Cable type	Water proof
Pair	Left and right
Functions	Cut off Motor power when brake
Color	Black Powder coated
Fingers set	3 finger short lever 4 finger long lever

THROTTLE



Voltage Out	1-4.3V
Voltage in	5V
Tuurn	60 degree
Sensor life	20M
Magnet	N35
Cable connector	water proof

SPLITTER



Display (5pin+Female)	11 CM
Throttle (3pin+Female)	11 CM
E-Brake (3pin*2+Male)	11 CM
Head Light (2pin+Female)	11 CM
Integrated (9pin+Male)	132 CM

Signature _____**PRODUCTS****ASSEMBLED ALLOY WHEEL**

Item	Unit	Descriptions
Alloy Rim	Pair	29"x29mm -31mm height DW black powder coated wt 0.590+/-
Spokes with Nipple	72 pcs	274-276 mm C45 material Ed coated nipple UCP
Tyre	2 pcs	29x2.10 Extraction model nylon TPI 20
Tube	2 pcs	29x2.10 Butyle
Disc Break with Bolts	2 pcs	160mm x 1.9 mm +/- 0.1 Direct mount with 6 screws wt 124 gm.
Rim Type	2 pcs	Rubber type
Alloy Hub Mega Disc Break 36H Front and Rear	Pair	6061 heat treated ED coated or anodised



Rider Bikes Pvt. Ltd.

For further inquiry contact:

Marketing Team - +91 78883 99747, +91 78883 99736

Address:

Rider Bikes Pvt. Ltd.

B 137/22, Village Pawa, Grand Trunk Road,
Ludhiana, Punjab 141120

www.riderbikes.in